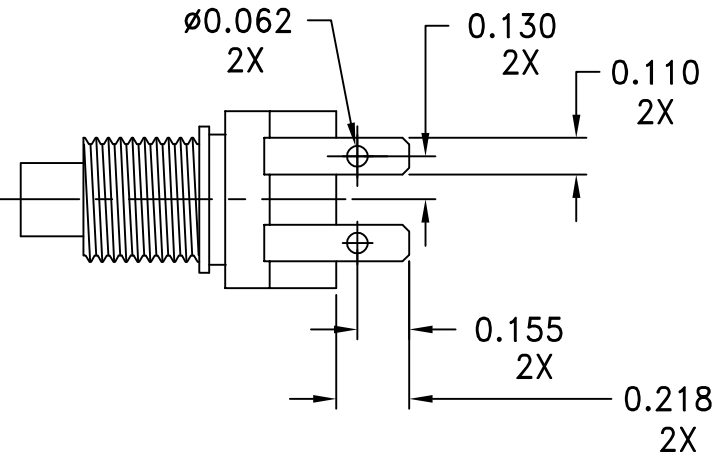
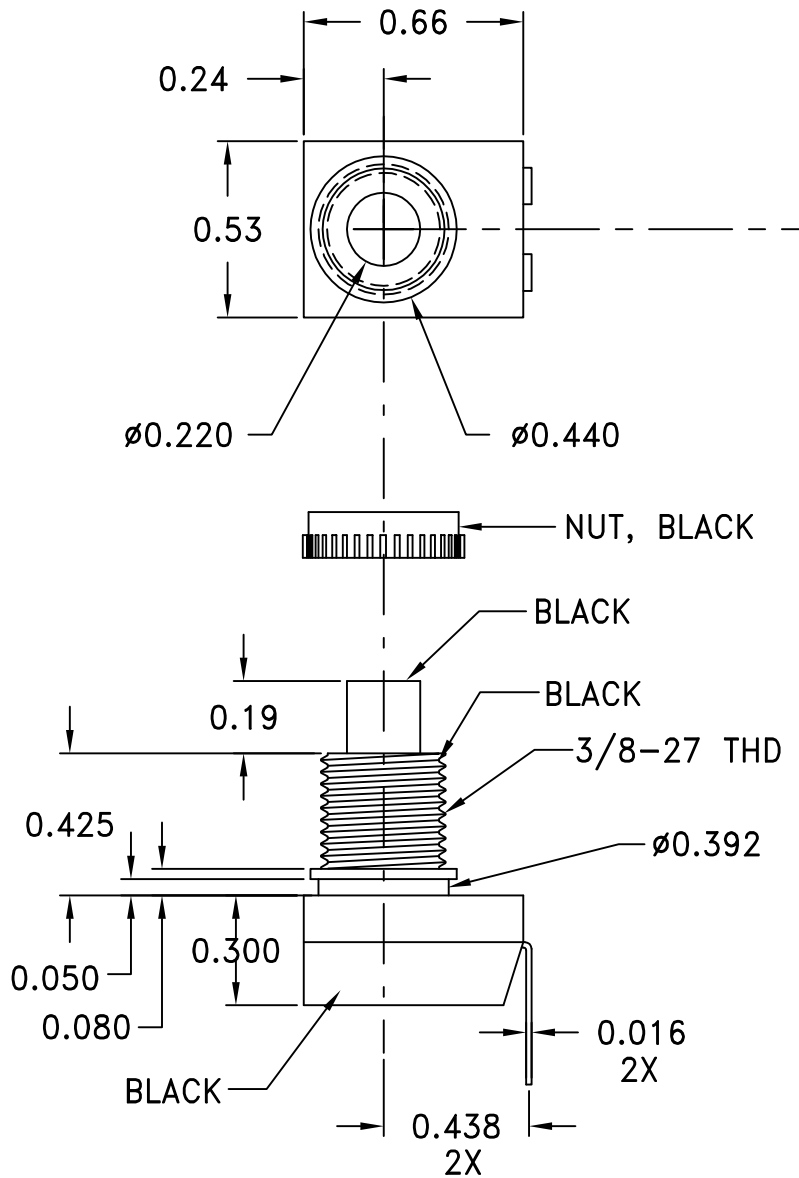


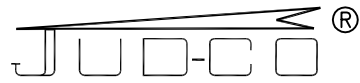
LTR	EN	DESCRIPTION	APPR	BY	DATE
A	-	INITIAL RELEASE	RB	DC	06-24-03
B	-	CORRECTED INVENTORY NUMBER AND UPDATED SWITCH DESCRIPTION	MT	DC	06-15-12



JUDCO INVENTORY NO. 40-3425-03
 SWITCH TYPE: SPST, MOM NORMALLY OPEN (NON-UL)
 SWITCH ELECTRICAL RATING: 14 VDC, 5A
 NUT INCLUDED

CUSTOMER: _____
 APPROVED BY: _____
 DATE: _____

This document embodies a product, component, and/or design proprietary to JUDCO MANUFACTURING INC., and which is protected either as a trade secret, by U.S. Patent, or by copyright. It may not be used in any way without written express consent of JUDCO MANUFACTURING INC.

DIMENSIONS IN INCHES DIMENSIONS ARE REFERENCE	 HARBOR CITY CALIFORNIA	
	TITLE OUTLINE J-188A-2S 512 NON UL	
DRAWN: DC 06-24-03	DWG. NO. 1415-425	
APPR: KJ 06-24-03	SHEET	
ENG'G: IS 06-15-12	1 OF 1	
1415U425B.DWG		