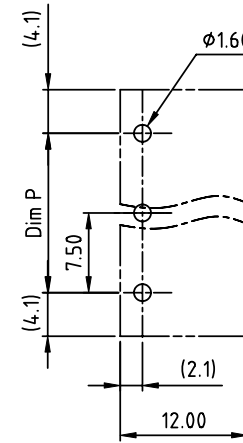
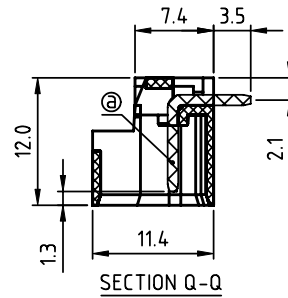
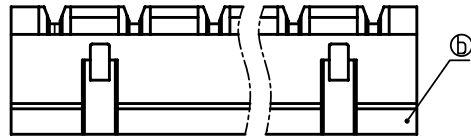
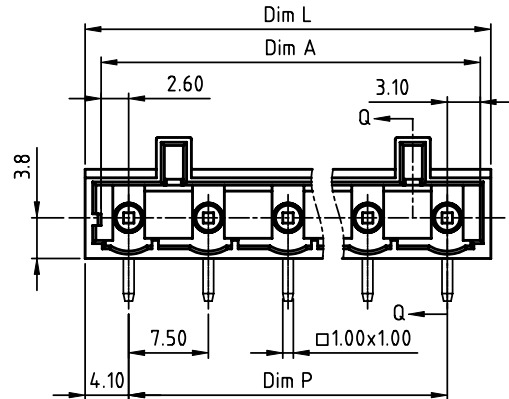


PRODUCT NUMBER	PITCH
NCxxA2x100J0G	7.50 mm



RECOMMENDED P.C.B LAYOUT  
TOP VIEW



Material:

- Item①Male contact pin: Copper Tin plated
- Item②Terminal(housing): Thermoplastic (UL94V-0)

Electrical:

- Voltage rating: 300V
- Current rating: 8A
- Withstanding Voltage: 1.6 KV
- Operating temperature: -40°C to +115°C
- Soldering temperature: 260°C±5°C/5 Sec
- Safety Approval: cULus

N = Number of poles  
 Dim L=Nx7.5+0.7  
 Dim P=(N-1)x7.5  
 Dim A=(N-1)x7.5+5.7

PART NO.: NC xx A 2 x 1 00J0 G

Solid block	0	Color	0 Black (RAL9005)	RoHS compliant
No. of poles	2	2 Red (RAL3001/D)	3 Orange(RAL2011/P)	(lead<4%)
02 2 poles	3	4 Yellow(RAL1018/A)	5 Green(RAL6018/T)	In copper Alloy
03 3 poles	4	6 Blue (RAL5015/A)	8 Grey(RAL7035/D)	
...	5	9 White(RAL1102)	C Green(RAL6018/U)	
16 16 poles	6			

poles	Dim L	Dim P	Dim A
2-6p	±0.20	±0.20	±0.20
7-12p	±0.25	±0.25	±0.25
13-16p	±0.40	±0.30	±0.30

mat'l. code		surface ASME Y14.5	tolerance ASME Y14.5	projection	product family TERMINAL BLOCK
ltr	ecn no	dr	date	tolerances unless otherwise specified	title
				angles X°±1°	TERMINAL BLOCK
				scale	PLUGGABLE SOCKET,RIGHT ANGLE,W/HOOK HOLDER
		dr	EVIN ZHONG	042314	dwg no
		enrg	EVIN ZHONG	042314	sheet 1 of 1
		chr	HANKE FENG	042314	size
		appd	SHI JUN	042314	NCxxA2x100J0G
					A4
sheet index	revision	A			type
	sheet	1			CUSTOMER Drawing