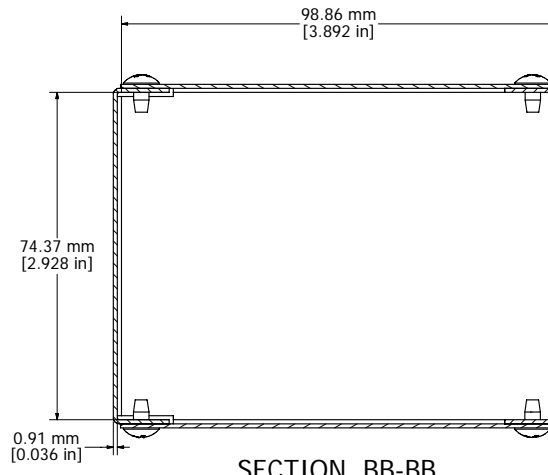
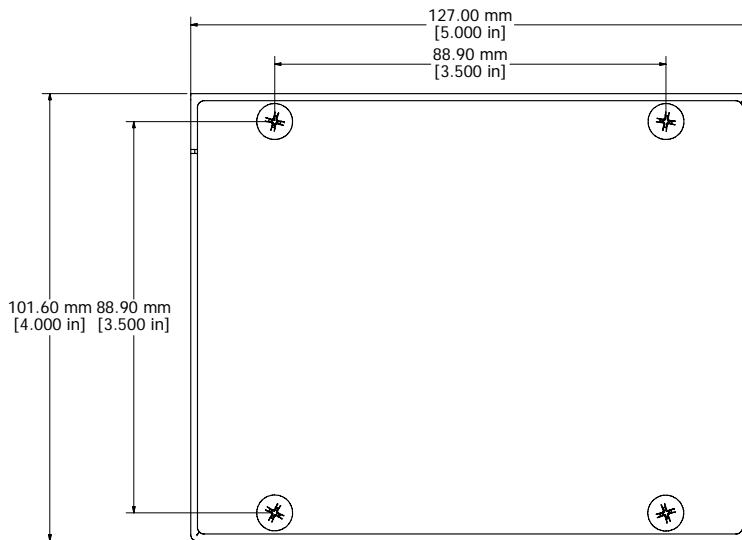
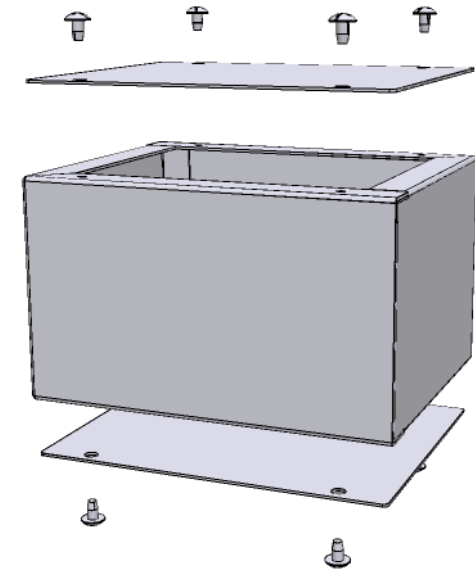


ASSEMBLY - VIEW FROM SIDE



SECTION BB-BB



ASSEMBLY - VIEW FROM TOP

- ASA 61 GREY POWDER PAINTED 0.036" 20 GAUGE STEEL BODY
- EIGHT 6-32 NICKEL PLATED SCREWS
- EXTRA SCREWS - 1421J6 (6-32 x 1/4 SHEET METAL SCREWS)

Contact Factory mjm@hammondmfg.com for quotes
 Enclosures can be Factory Modified (Milling, Drilling, Printing etc.)
 Solid models of this enclosure available in STEP or IGES.



**HAMMOND
 MANUFACTURING™**

1415B

www.hammondmfg.com