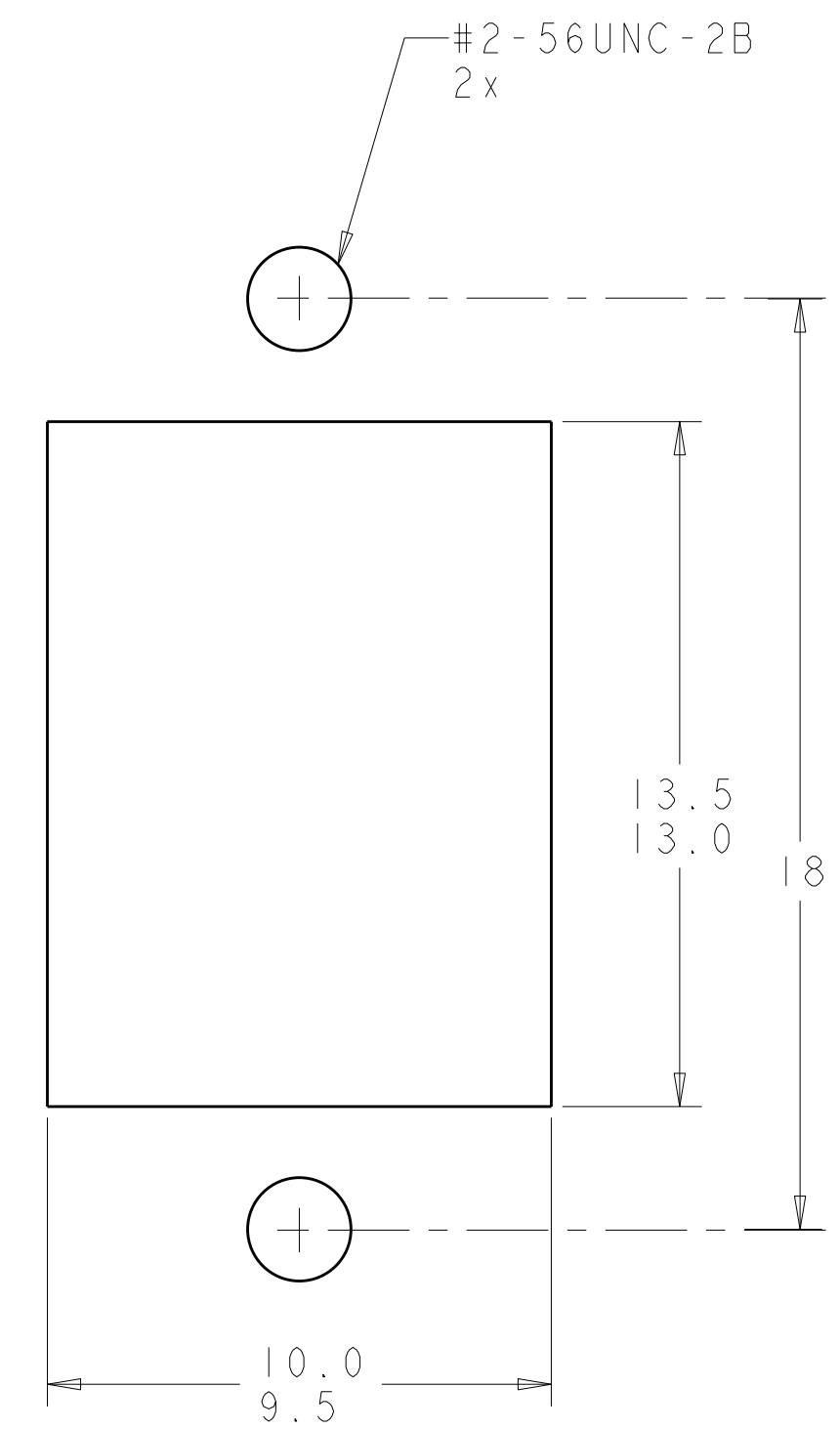
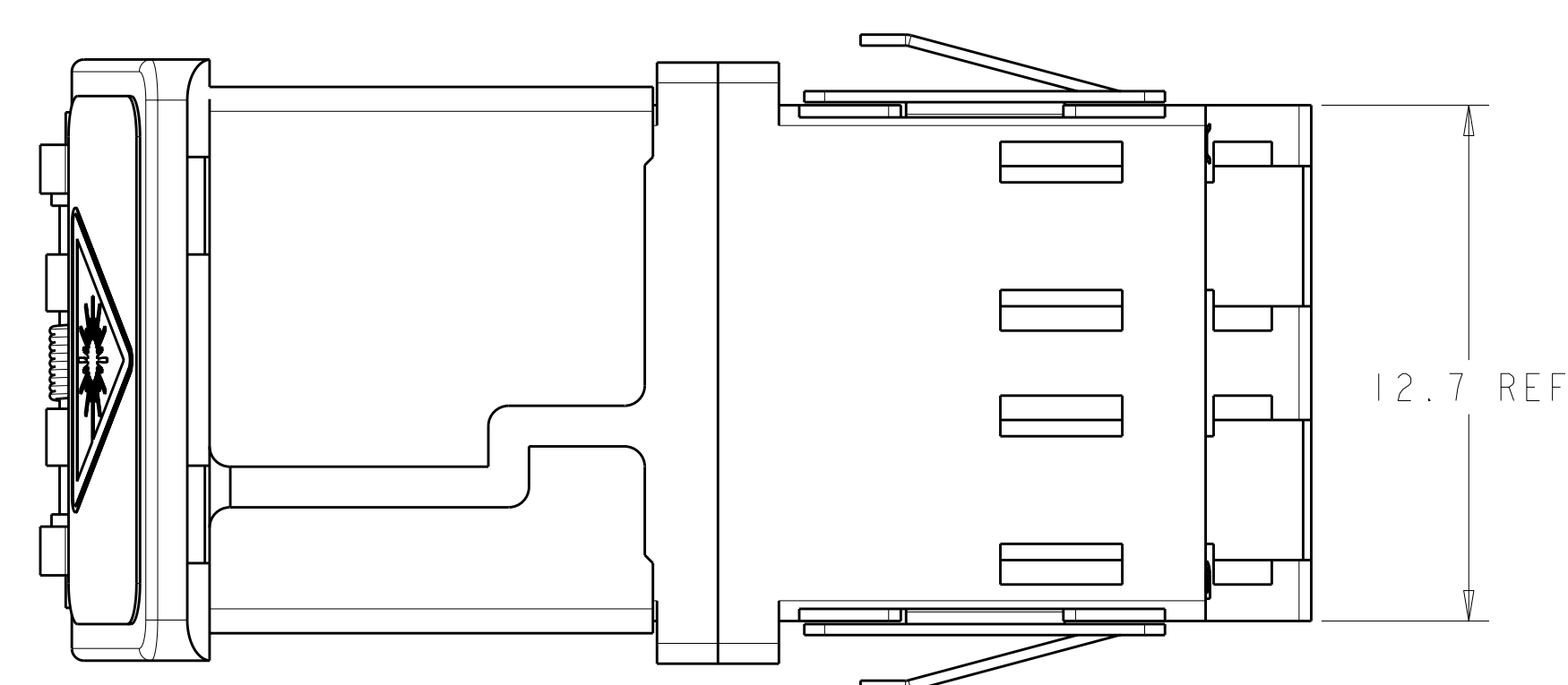
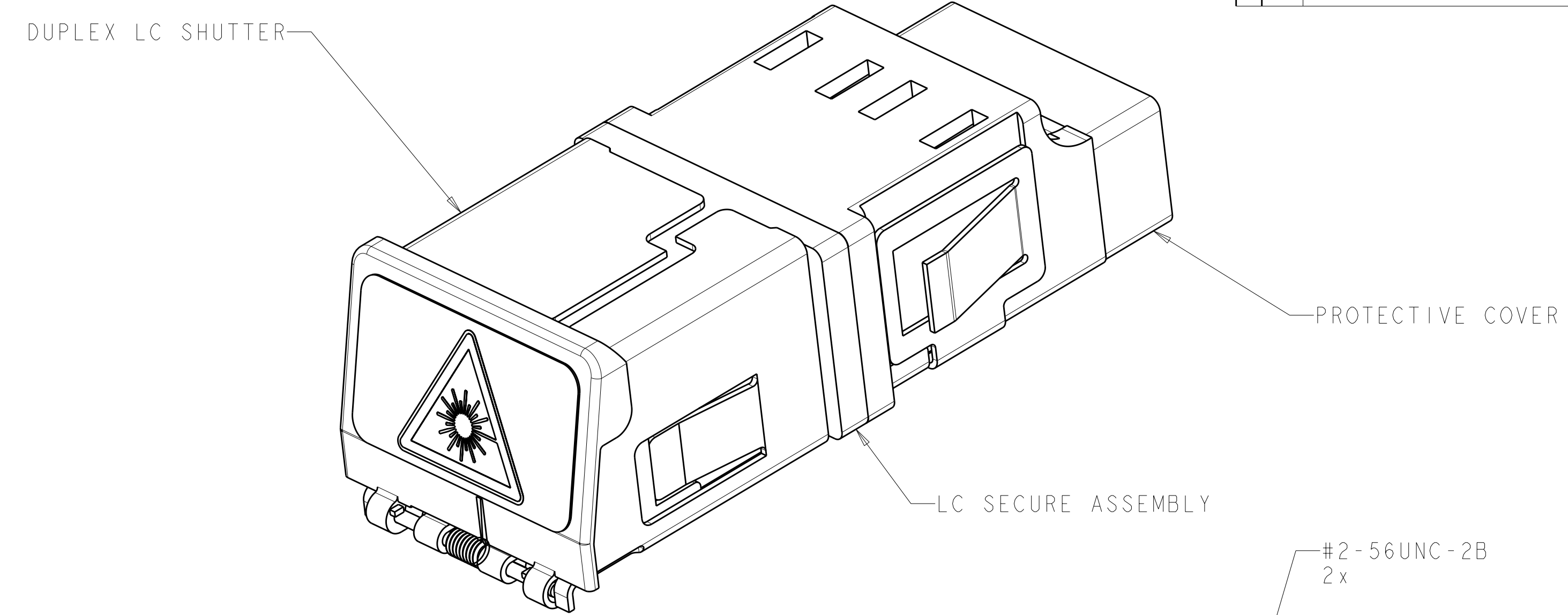
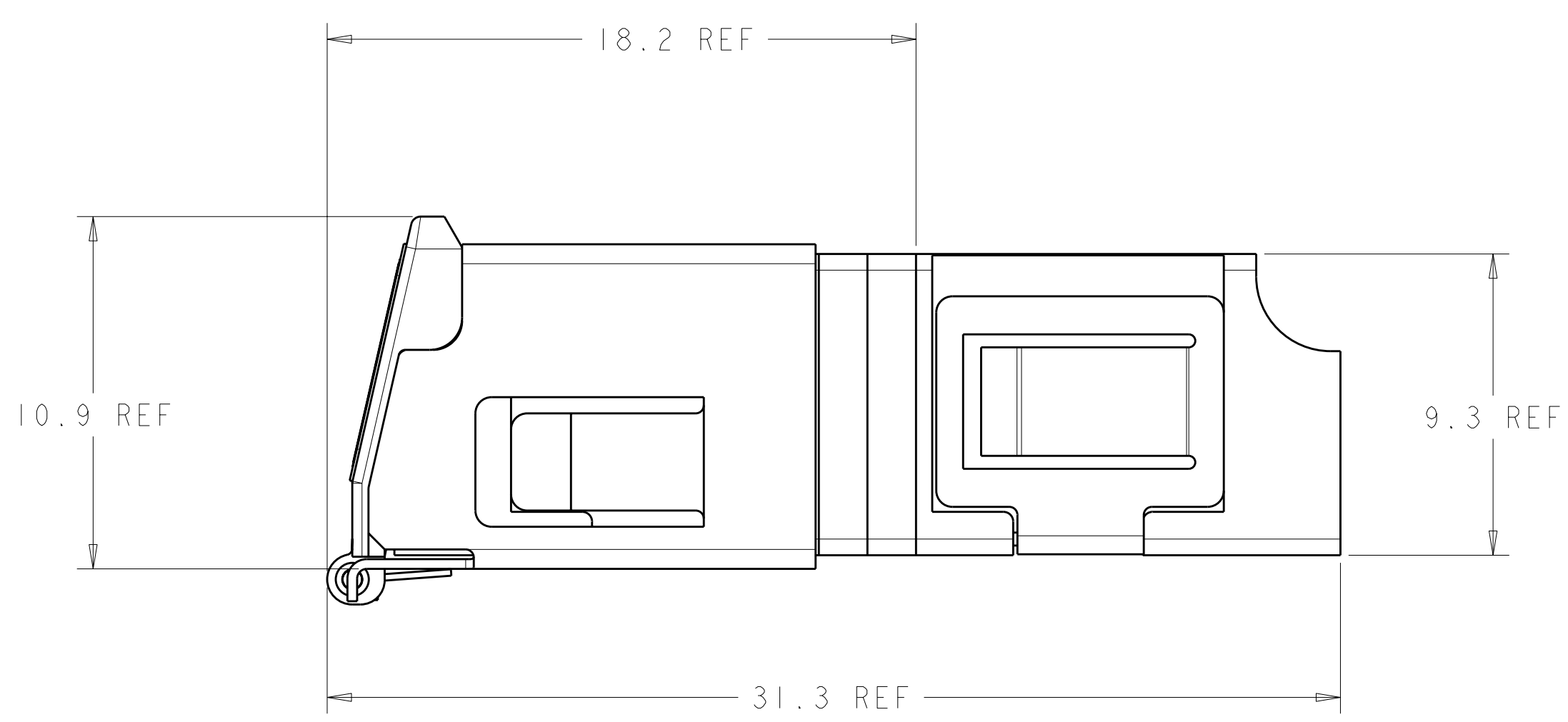
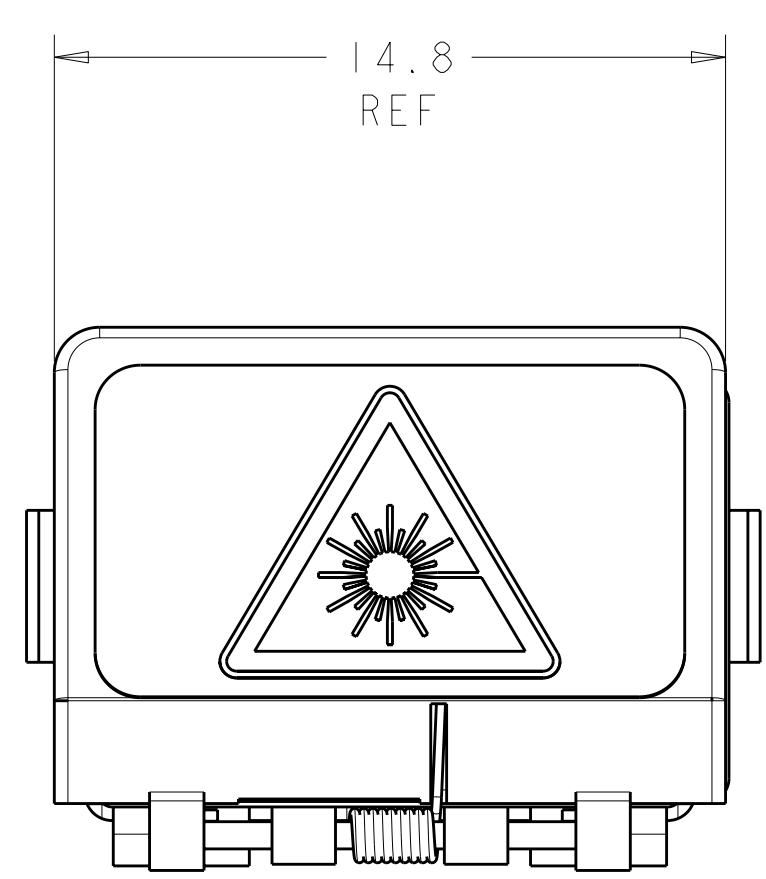


LOC	DIST	REVISIONS			
REV	LTG	DESCRIPTION	DATE	DWN	APVD
CE	00	A	ECR-09-013584	23JUN2009	BB SM

△ MATERIAL:
 ADAPTER HOUSING: THERMOPLASTIC PPE-PS, COLOR: SEE TABLE*
 PROTECTIVE COVER: TPE, COLOR: BLACK*
 ALIGNMENT SLEEVES: CERAMIC
 SHUTTER HOUSING, RETAINER, SPRING, AND SHAFT: STAINLESS STEEL
 SHUTTER DOOR: POLYCARBONATE, COLOR: BLACK*
 LABEL: PET FILM, COLOR: SEE TABLE
 *UL 94 V-0 RATED AT QUALIFYING THICKNESS



RECOMMENDED PANEL CUTOUT
 MAX PANEL THK. 1.7



PROTECTIVE COVER
 NOT SHOWN

AQUA	AQUA	1-2064752-4
BLACK	BEIGE	1-2064752-3
GREEN	GREEN	2064752-3
BEIGE	BEIGE	2064752-2
BLUE	BLUE	2064752-1
ADAPTER COLOR	SHUTTER LABEL COLOR	PART NO.

DIMENSIONS: mm 		TOLERANCES UNLESS OTHERWISE SPECIFIED: 0 PLC ± 1 PLC ± 2 PLC ± 3 PLC ± 4 PLC ± ANGLES ± FINISH -		DWN B. BRIGGS 23DEC2008 CHK S. MILLER 23DEC2008 APVD D. BAECHTLE 23DEC2008 PRODUCT SPEC APPLICATION SPEC WEIGHT CUSTOMER DRAWING		Tyco Electronics Harrisburg, PA 17105-3608 NAME SHUTTER ADAPTER ASSEMBLY, LC FLANGELESS SIZE CAGE CODE DRAWING NO RESTRICTED TO A 100779 C=2064752 SCALE 7:1 SHEET 1 OF 1 REV A	
-----------------------	--	---	--	--	--	--	--